

# Data Sheet

## Fujitsu Mainboard Accessories

### 12V Internal PSU E598-V50

Suitable for Industrial Mainboards D3313-S / D3543-S / D3433-S / D3434-S

#### Supported Mainboards (Chassis Kit Solutions)

- D3313-S
- D3433-S (support for E598 planned)
- D3434-S (support for E598 planned)
- D3543-S (support for E598 planned)

#### Product Features

Input: 100-240V ~ 1.5A 50-60Hz  
 Output: 12V / 5.4A

#### Operating conditions

Temperature range 0°C - 50°C with nominal load  
 Humidity 5% - 85% relative

#### Approvals

CE; CCSAUS or CULUS; NEMKO; BSMI-RoHS; CCC; KC

#### Reliability

MTBF (MIL 217F) > 100.000 h (25°C)

#### AC Input Voltage

Nominal input voltage range	100V - 240V
Min/max input voltage range	90V - 264V
Line frequency	47Hz - 63Hz
Max total harmonic distortion of input voltage	≤ 5%
Input hold up time nominal load @230V50Hz	≥ 16ms

#### Main DC Outputs

Output power	65W
Nominal voltage	12V
Regulation tolerance	± 5%
Min. current	0A
Ripple and noise (bandwidth limit of 20MHz)	120mV
Max. step load ΔI	3.3A
LPS (limited power source)	Yes



#### Order Code

**S26361-F5000-P4**  
 includes

- Internal PSU module E598-V50
- Internal DC cable for D3313-S kit solution (T26139-Y4030-V10; 320mm)
- Internal DC cable for D3543-S kit solution (T26139-Y4030-V9; 110mm)

Mains power cable is NOT included!

Efficiency

% of nominal load	Efficiency @230V
5%	>80%
10%	>84%
20%	>87%
50%	>90%
100%	>87%

Connector Details

Mains Input Socket:  
IEC 60320/C8



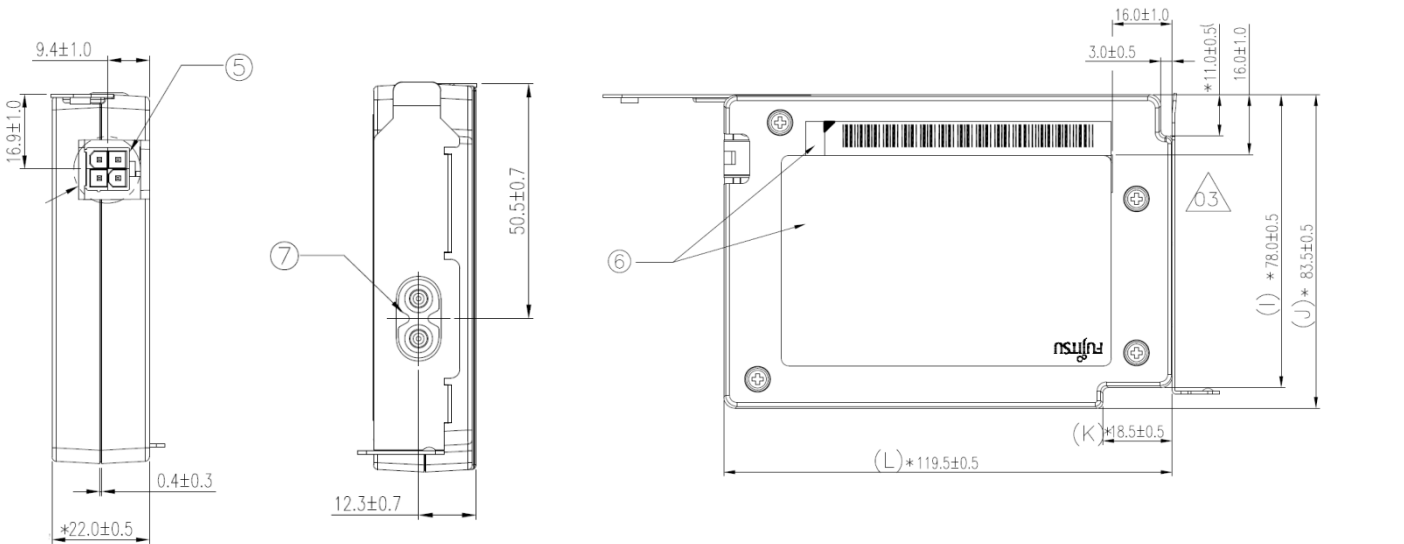
100-240V AC

12V DC Output Socket:  
Molex 4-Pin

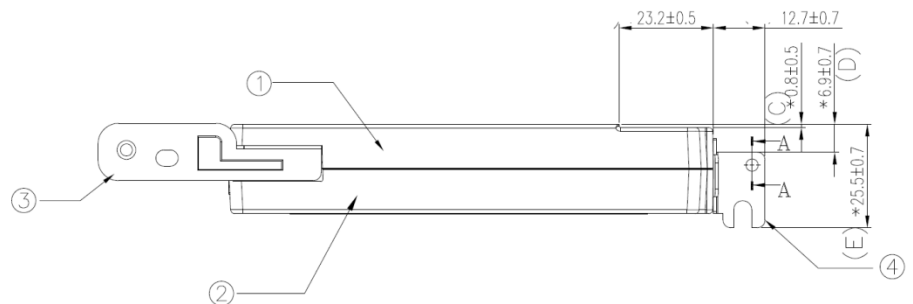


Pin 1/2	GND
Pin 3/4	12V

Mechanical Dimensions



ITEM	PART NAME	COLOR
①	CHASSIS	BLACK
②	COVER	BLACK
③	PSU HOLDER	NATURAL
④	BRACKET	NATURAL
⑤	OUTPUT CONNECTOR	WHITE
⑥	LABEL	BLACK
⑦	SOCKET ASS'Y	BLACK



# More information

## Fujitsu platform solutions

In addition to Fujitsu Mainboards Fujitsu provides a range of platform solutions. They combine reliable Fujitsu products with the best in services, know-how and worldwide partnerships.

### Dynamic Infrastructures

With the Fujitsu Dynamic Infrastructures approach, Fujitsu offers a full portfolio of IT products, solutions and services, ranging from clients to datacenter solutions, Managed Infrastructure and Infrastructure-as-a-Service. How much you benefit from Fujitsu technologies and services depends on the level of cooperation you choose. This takes IT flexibility and efficiency to the next level.

### Computing products

[www.fujitsu.com/global/services/computing](http://www.fujitsu.com/global/services/computing)

- PRIMERGY: Industrial standard server
- SPARC Enterprise: UNIX server
- PRIMEQUEST: Mission-critical IA server
- ETERNUS: Storage system

### Software

[www.fujitsu.com/software/](http://www.fujitsu.com/software/)

- Interstage: Application infrastructure software
- Systemwalker: System management software

## More information

Learn more about Fujitsu Mainboards, please contact your Fujitsu sales representative, Fujitsu business partner, or visit our website.  
<http://ts.fujitsu.com/>

## Fujitsu green policy innovation

Fujitsu Green Policy Innovation is our worldwide project for reducing burdens on the environment. Using our global know-how, we aim to resolve issues of environmental energy efficiency through IT. Please find further information at:  
[www.fujitsu.com/global/about/environment](http://www.fujitsu.com/global/about/environment)



## Copyright

Copyright © Fujitsu Technology Solutions  
All rights reserved, including intellectual property rights. Changes to technical data reserved. Delivery subject to availability. Any liability that the data and illustrations are complete, actual or correct is excluded.

Designations may be trademarks and/or copyrights of the respective manufacturer, the use of which by third parties for their own purposes may infringe the rights of such owner.

For further information see [http://ts.fujitsu.com/terms\\_of\\_use.html](http://ts.fujitsu.com/terms_of_use.html)

## Disclaimer

Technical data are subject to modification and delivery subject to availability. Any liability that the data and illustrations are complete, actual or correct is excluded. Designations may be trademarks and/or copyrights of the respective manufacturer, the use of which by third parties for their own purposes may infringe the rights of such owner.

## Contact

FUJITSU Technology Solutions  
OEM Mainboard Sales  
Email: [oem-sales@ts.fujitsu.com](mailto:oem-sales@ts.fujitsu.com)

Website: <http://ts.fujitsu.com>  
2017-11-21

Copyright © Fujitsu Technology Solutions

All rights reserved, including intellectual property rights. Changes to technical data reserved. Delivery subject to availability. Any liability that the data and illustrations are complete, actual or correct is excluded. Designations may be trademarks and/or copyrights of the respective manufacturer, the use of which by third parties for their own purposes may infringe the rights of such owner.

For further information see [http://ts.fujitsu.com/terms\\_of\\_use.html](http://ts.fujitsu.com/terms_of_use.html)