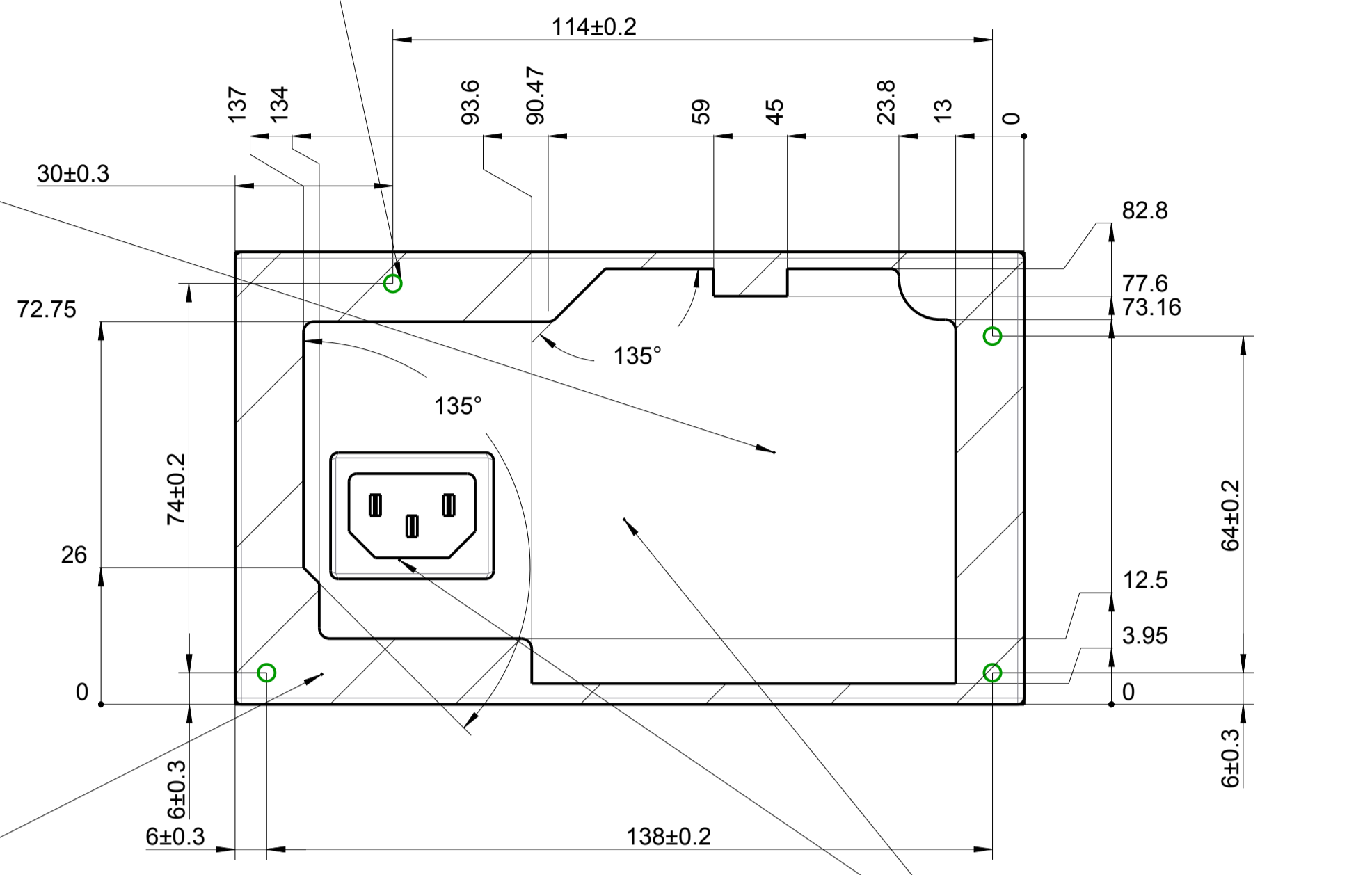
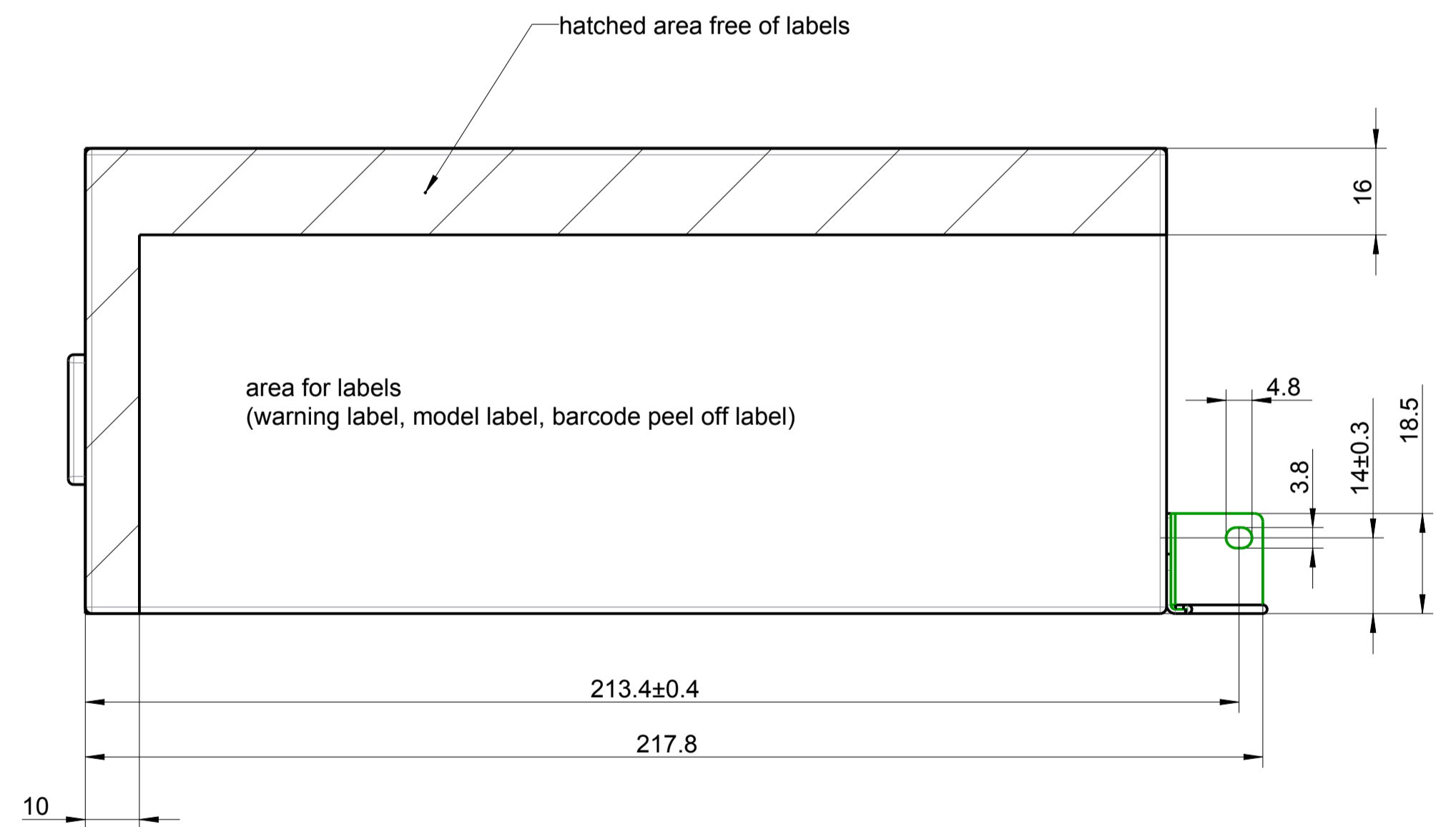
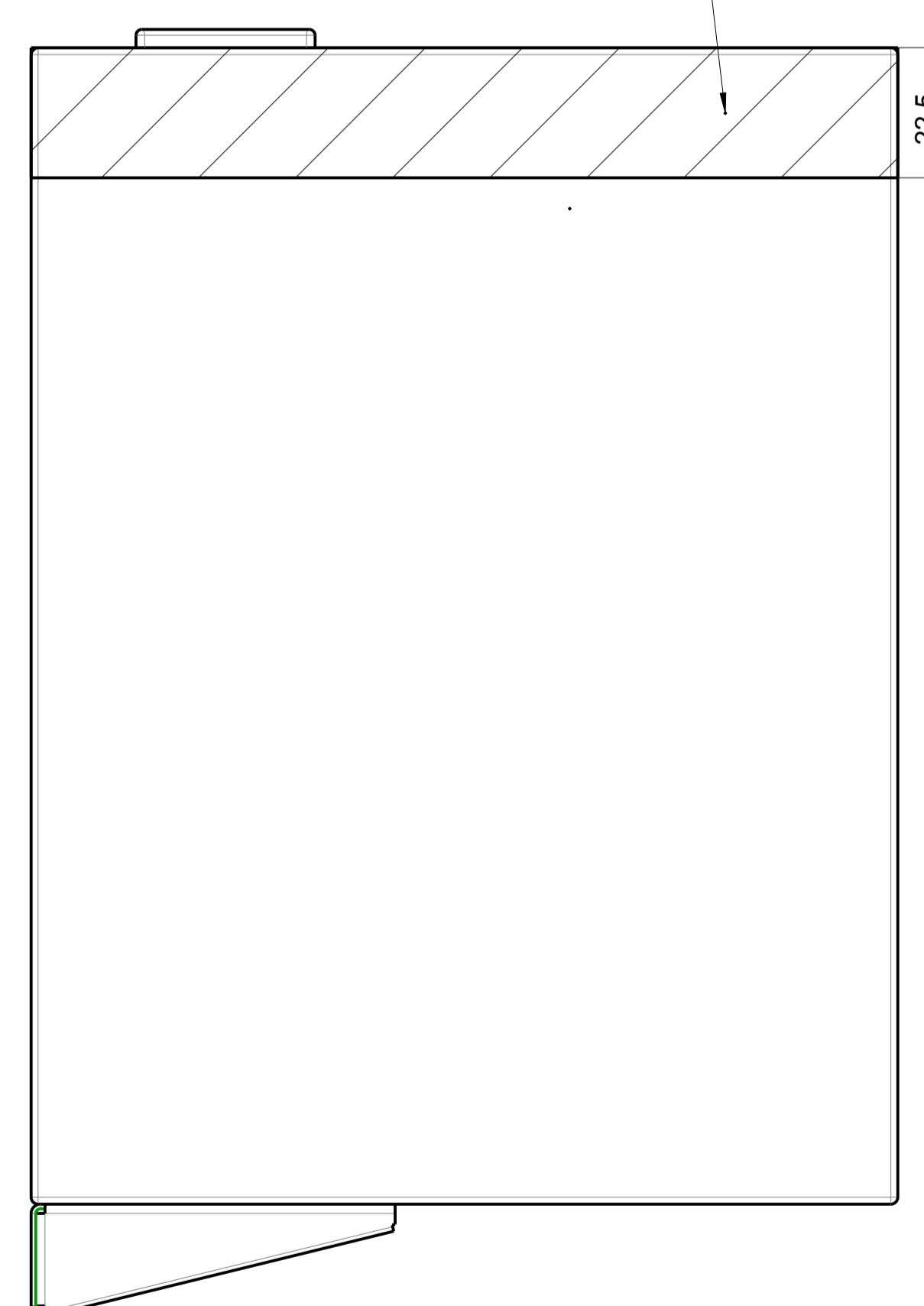
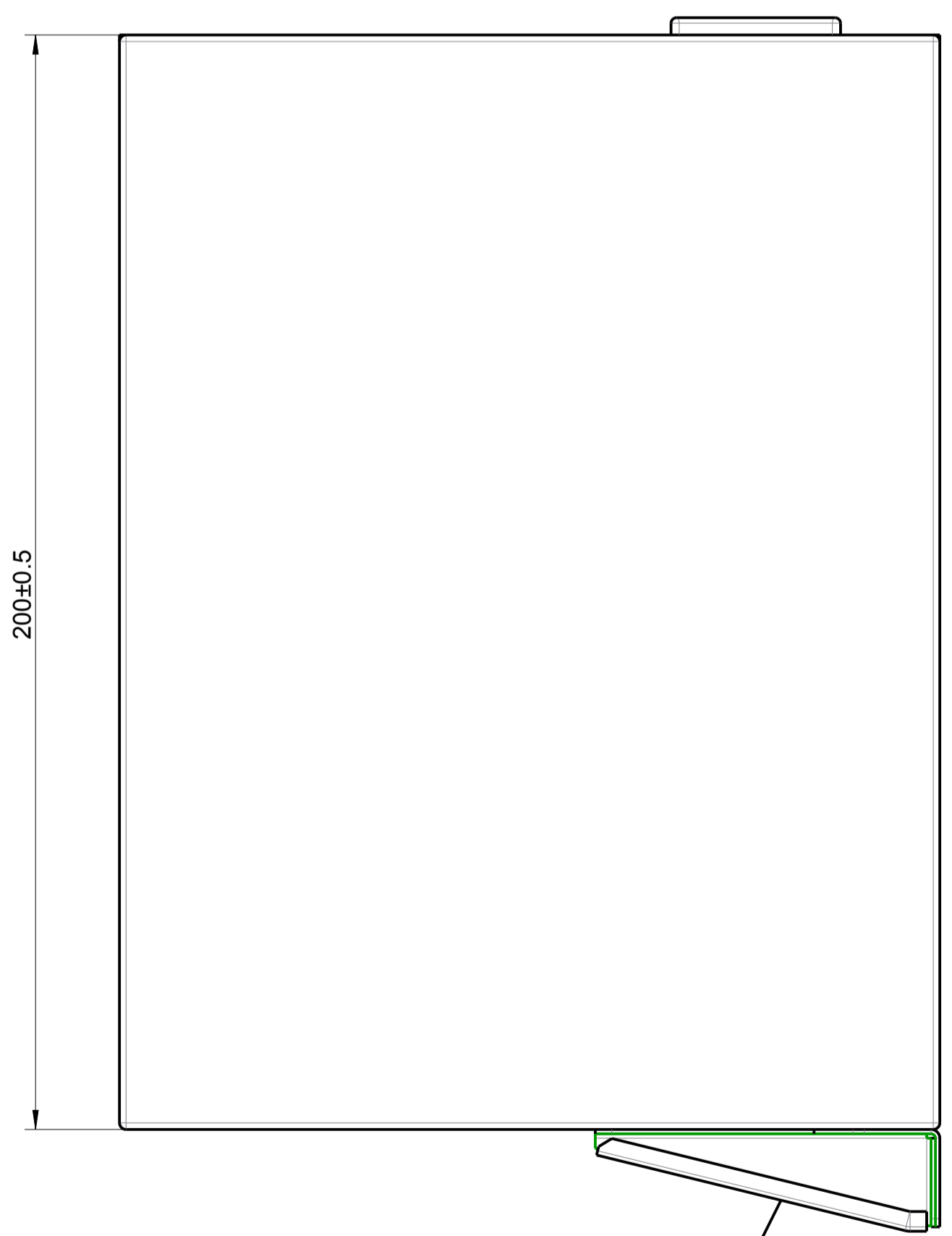


4 x burr hole with thread M3  
Thread has to withstand a torque of 0.7 Nm



Hatched area reserved for EMI-contacts



© COPYRIGHT FUJITSU TECHNOLOGY SOLUTIONS 2009  
ALL RIGHTS RESERVED. CONFIDENTIAL  
PROPRIETARY DATA  
ALL RIGHTS RESERVED  
ALS BETRIEBSGEHEIMNIS ANVERTRAUT  
ALLE RECHTE VORBEHALTEN

Issue	Description of modification	Date
08	E587, E588 added	12.11.2013
07	tolerances changed	24.02.2011
06	datum changed	14.01.2011
05	connectors reworked	02.12.2010
04	connectors added	28.10.2010
03	EMI area adapted	16.04.2010
02	variant added	12.03.2010
01	first edition	19.02.2010

Pro/ENGINEER	TOLERANCES	SURFACE	DRAWING SCALE
R&D			1:1

first application: E568, E569

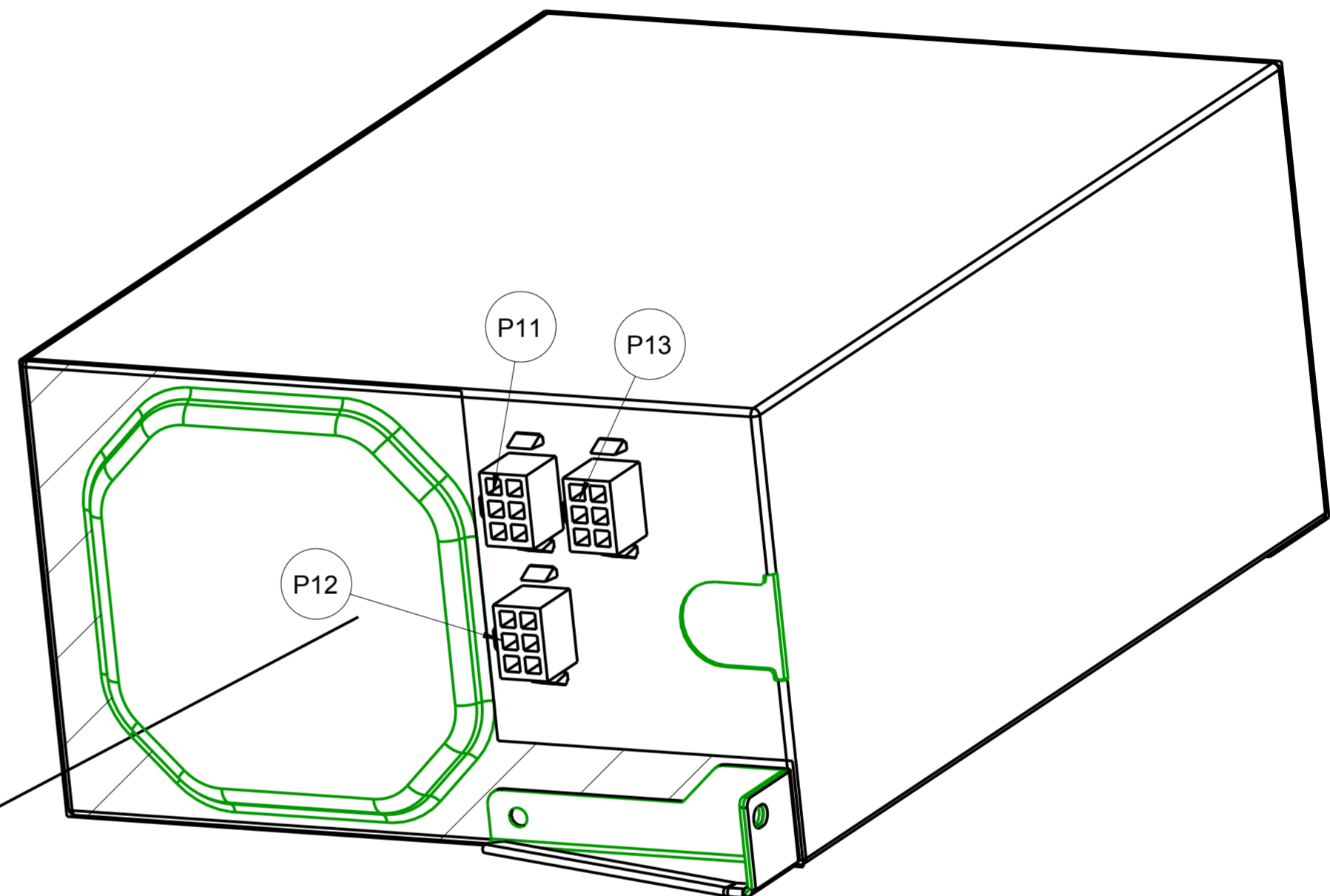
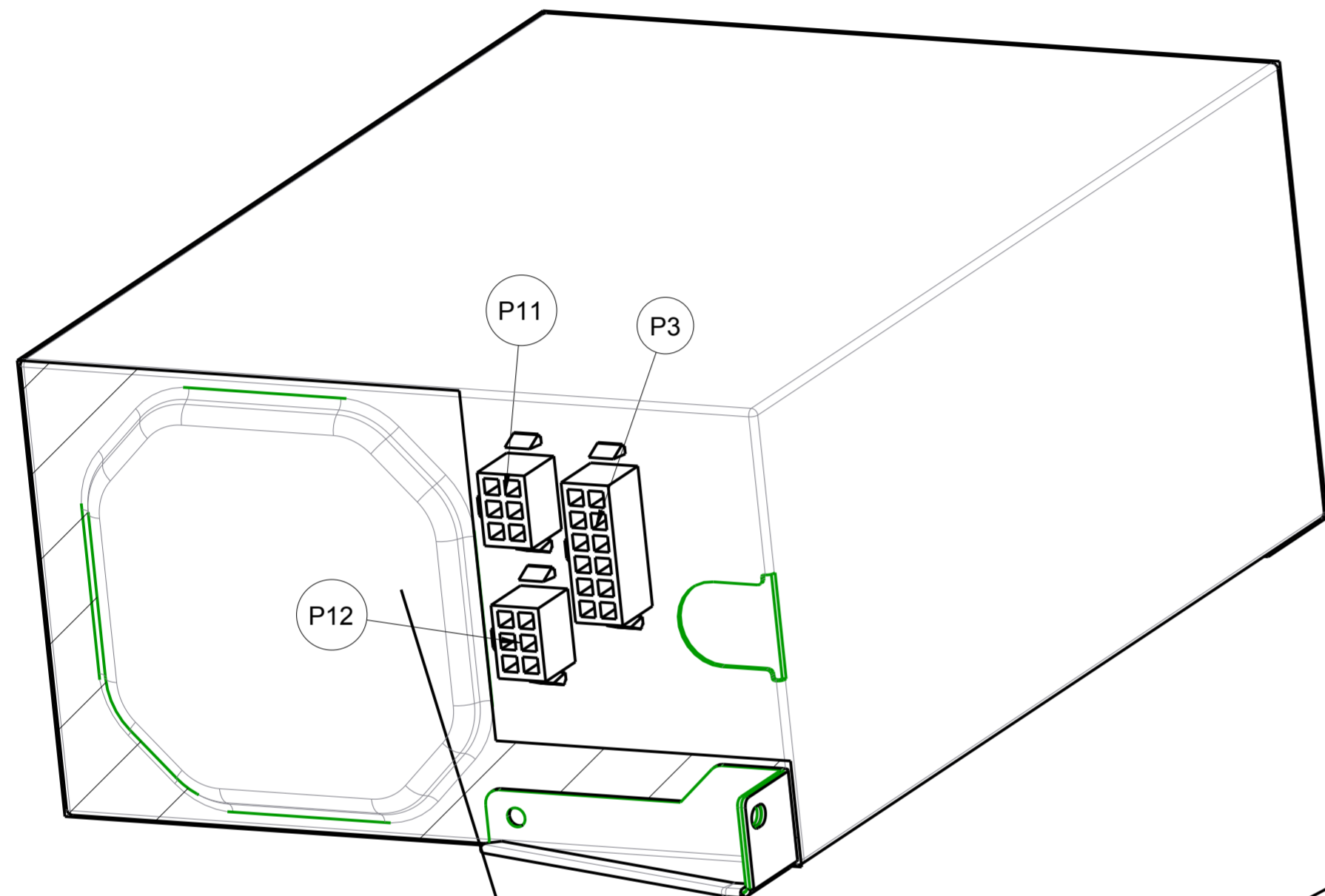
**12V PSU**

**C26192-Y8-C18**

Part No: A3C Doc. No: A3C

E568, 800 W, fan on DC-side:

E569, 1100 W, fan on DC-side:



Fan fixed at this side with rubber rivets.  
Ventilation holes in accordance with FTS.  
Embossment 4mm

© COPYRIGHT FUJITSU TECHNOLOGY SOLUTIONS 2009  
ALL RIGHTS RESERVED. CONFIDENTIAL

PROPRIETARY DATA  
ALL RIGHTS RESERVED

ALS BETRIEBSGEHEIMNIS ANVERTRAUT  
ALLE RECHTE VORBEHALTEN

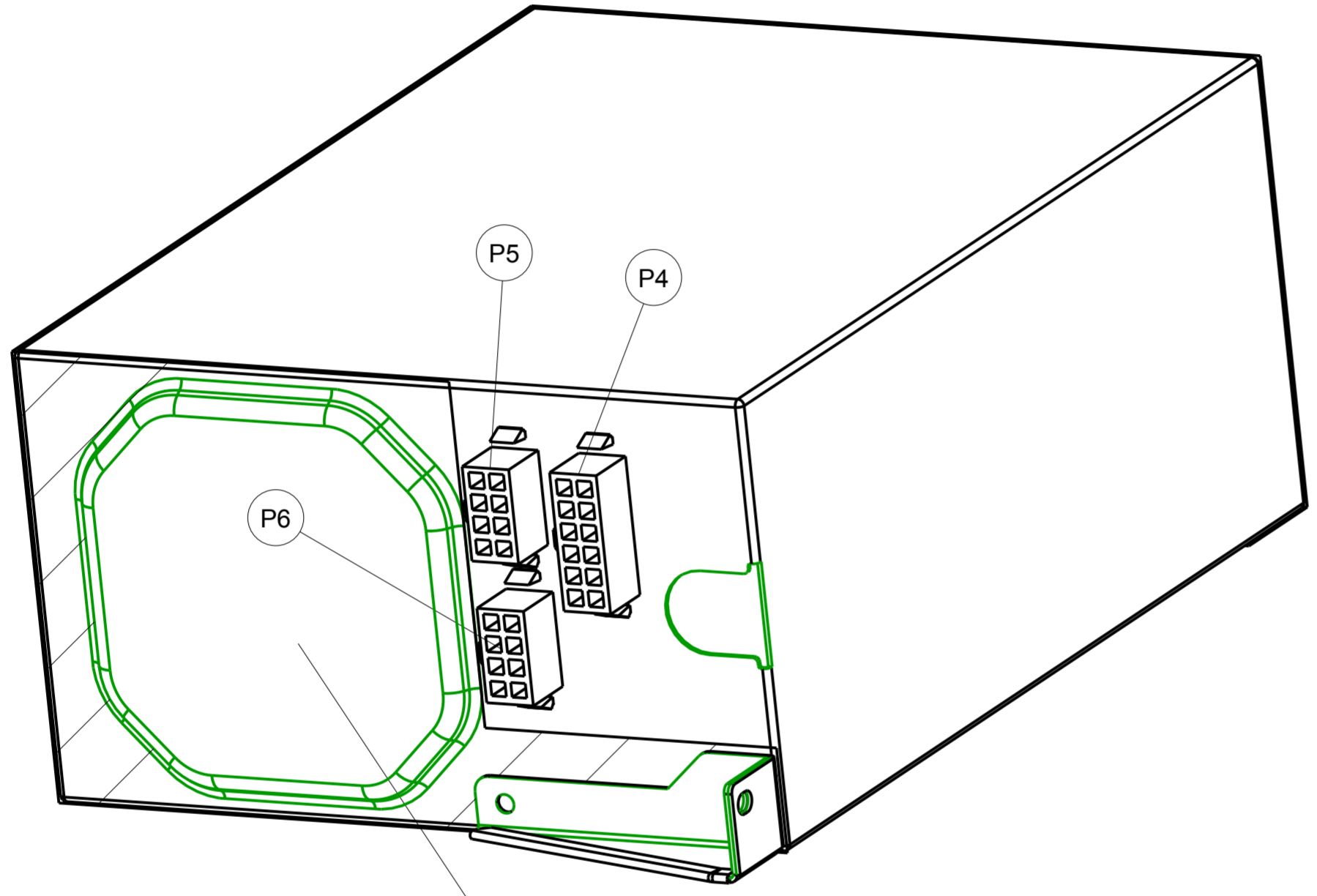
Issue	Description of modification	TOLERANCES		SURFACE		DRAWING SCALE	Date
						1:1	
	Pro/ENGINEER R&D					first application: E568, E569	
08	E587, E588 added	12.11.2013	Sche	DATE	12-Mar-10		
07	tolerances changed	24.02.2011	Sche	EDITOR	Scherer		
06	datum changed	14.01.2011	Sche	CHECK			
05	connector area reworked	02.12.2010	Sche	NORM			
04	connectors added	28.10.2010	Sche	DEP.	R&D SYD BB		
03	EMI area adapted	16.04.2010	Sche				
02	variant added	12.03.2010	Sche				
01	first edition	19.02.2010	Sche				
REV.	ISSUE	NOTIFICATION	DATE	NAME			
						Part No: A3C	Doc. No: A3C



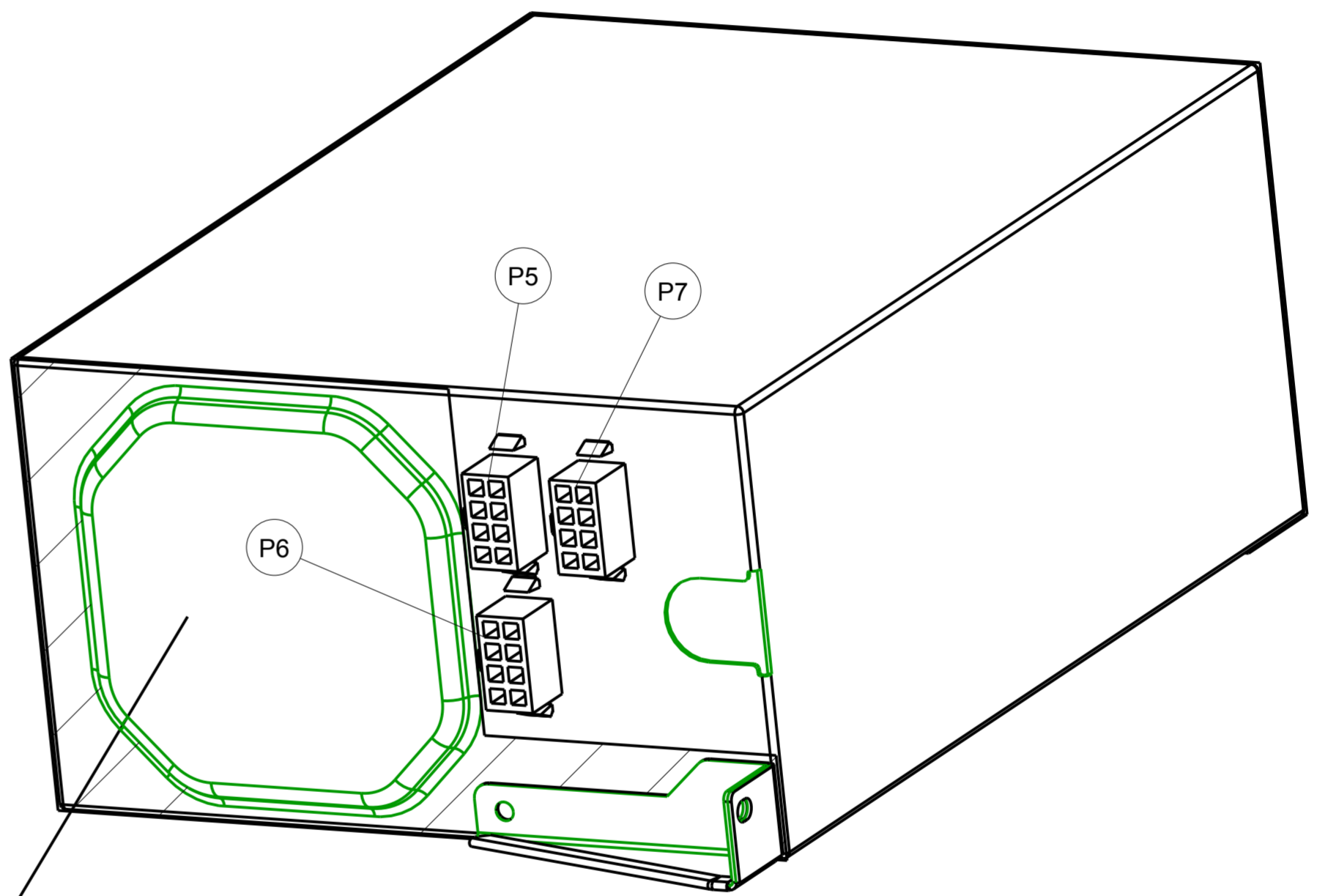
C26192-Y8-C18

SHEET 2  
3 SH

E587, 1000 W, fan on DC-side



E588, 1300 W, fan on DC-side



Fan fixed at this side with rubber rivets.  
Ventilation holes in accordance with FTS.  
Embossment 4mm.

© COPYRIGHT FUJITSU TECHNOLOGY SOLUTIONS 2009  
ALL RIGHTS RESERVED. CONFIDENTIAL

PROPRIETARY DATA  
ALL RIGHTS RESERVED

ALS BETRIEBSGEHEIMNIS ANVERTRAUT  
ALLE RECHTE VORBEHALTEN

Issue	Description of modification	TOLERANCES		SURFACE		DRAWING SCALE	Date
						1:1	
	Pro/ENGINEER R&D					first application: E568, E569	
08	E587, E588 added	12.11.2013	Sche	DATE	12-Nov-13		
07	tolerances changed	24.02.2011	Sche	EDITOR	Scherer		
06	datum changed	14.01.2011	Sche	CHECK			
05	connector area reworked	02.12.2010	Sche	NORM			
04	connectors added	28.10.2010	Sche	DEP.	R&D SYD BB		
03	EMI area adapted	16.04.2010	Sche				
02	variant added	12.03.2010	Sche				
01	first edition	19.02.2010	Sche				
REV.	ISSUE	NOTIFICATION	DATE	NAME			
						Part No: A3C	Doc. No: A3C



C26192-Y8-C18

SHEET 3

3 SH