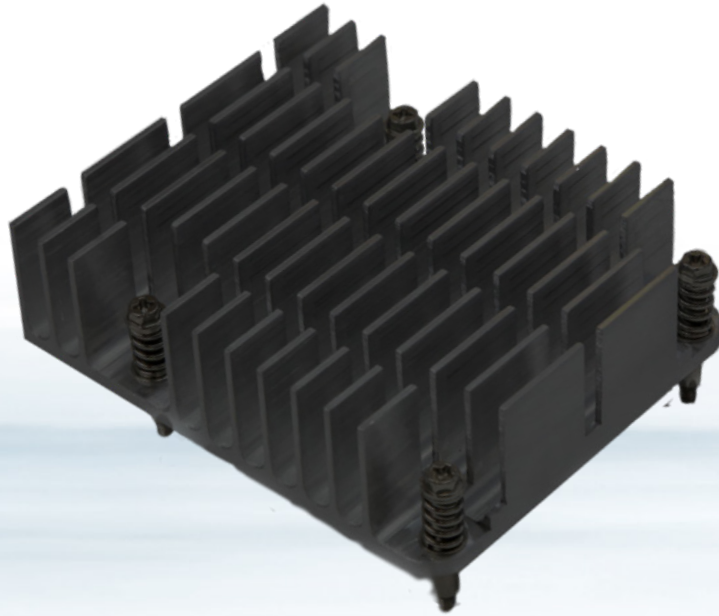


# PASSIVE MINI-ITX HEATSINK

## F5000-C019

Motherboard Accessories

---



### Fanless Heatsink Kit for Mini-ITX Motherboard D3713

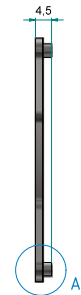
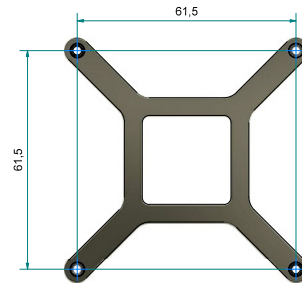
- ▶ Designed for the AMD Ryzen™ Embedded R1000/V1000 processor series up to 15 W TDP
- ▶ Full aluminium
- ▶ Max. 15 W TDP
- ▶ Spring-loaded mounting screws for specified downforce
- ▶ Weight: ~165 g (cooler) + 21 g (backplate)

POSSIBILITIES START HERE

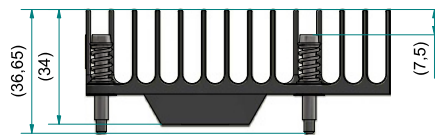
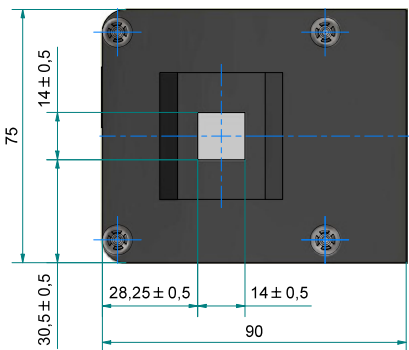
## TECHNICAL INFORMATION

RECOMMENDED MOUNTING SCREW TORQUE	max. 0.8 Nm
BACKPLATE	Metal backplate, provides 4 mounting threads for heatsink
BACKPLATE MOUNTING HOLES	M3; hole spacing = 61.5 mm x 61.5 mm
SUPPORTED MAINBOARDS	D3713-R/-V

## BACKPLATE



## DIMENSION



## ORDERING INFORMATION

ARTICLE	PART NO.	DESCRIPTION
PASSIVE HEATSINK	F5000-C019	Package contains 40x passive cooler incl. 40x backplate

## Global Headquarters

Kontron S&T AG

Lise-Meitner-Str. 3-5  
 86156 Augsburg, Germany  
 Tel.: + 49 821 4086 0  
 Fax: + 49 821 4086 111  
 info@kontron.com  
[www.kontron.com](http://www.kontron.com)