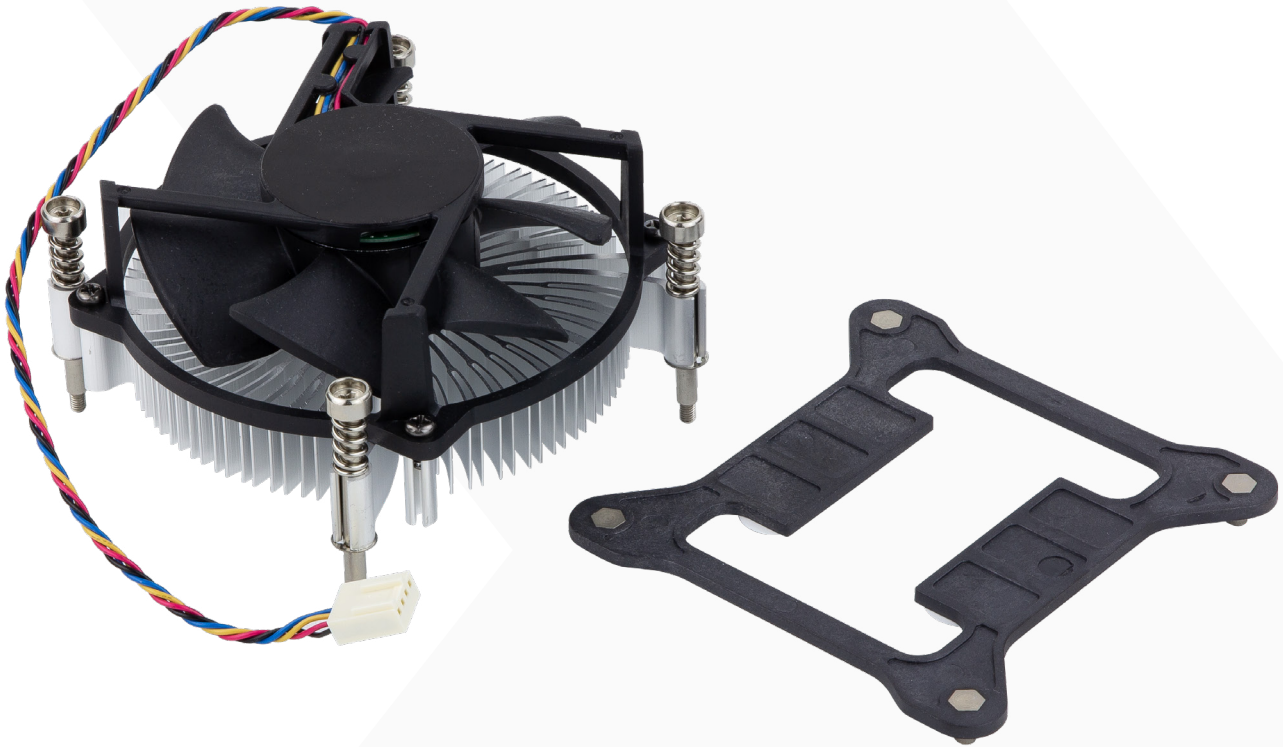


Slim Heatsink for Intel® LGA1700

F5000-C030 | Motherboard Accessories

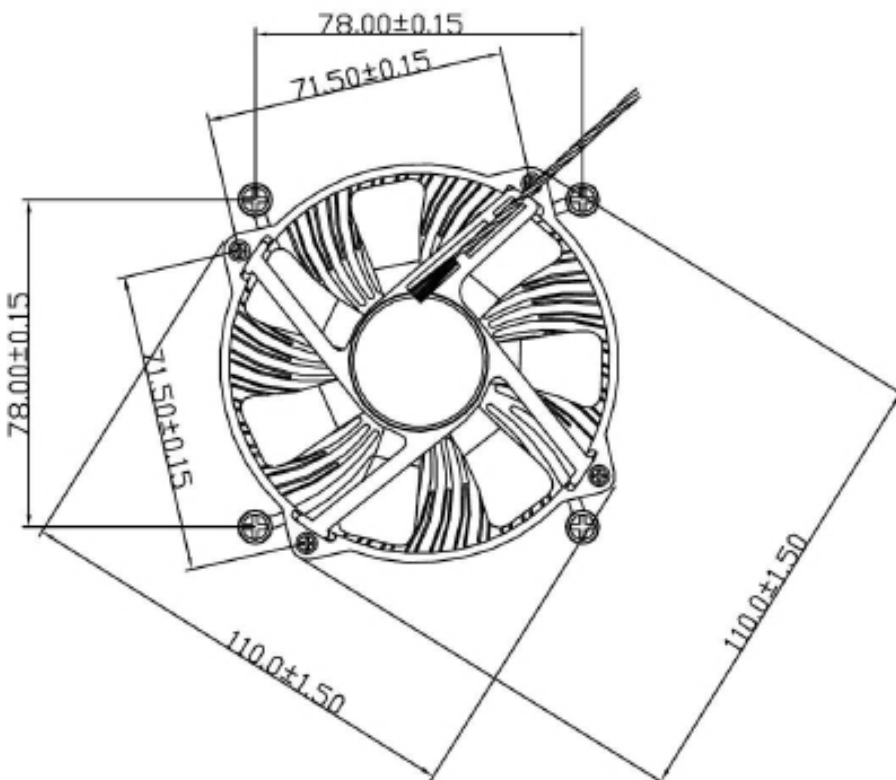


Active Heatsink for LGA1700 motherboards up to 65 W TDP

- ▶ Designed for effective cooling of Intel® Core™ processors up to 65W TDP
- ▶ Full aluminum incl. mounting backplate
- ▶ Spring-loaded mounting screws for specified downforce
- ▶ Weight: ~ 140 g

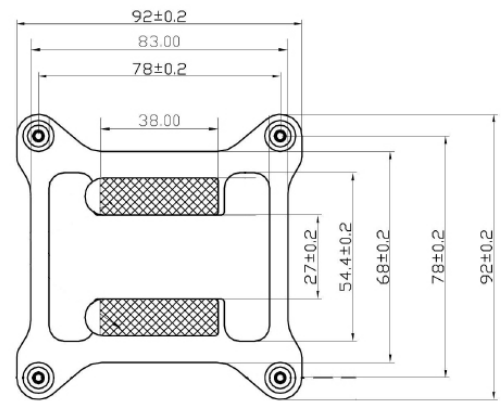
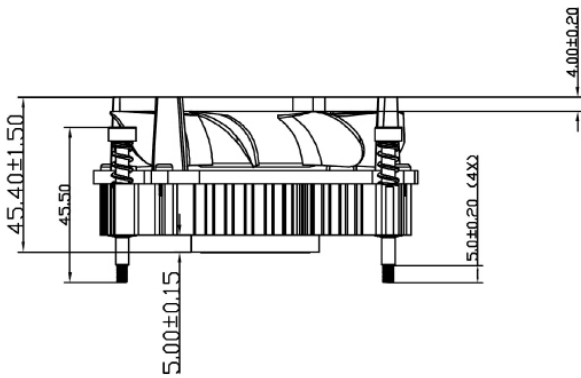
DIMENSIONS	95mm fan design
OPERATING VOLTAGE	12 V; PWM
FAN SPECIFICATION	max. 0.6 A @ 100 % PWM 4.500 rpm +/- 10 % @ 100 % PWM Axial fan; two ball bearing Fan cable length = 200 mm
NOISE LEVEL	max.52 dB(A)
MTBF	70.000 hrs @ 40 °C
RECOMMENDED MOUNTING SCREW TORQUE	0.6 Nm
SUPPORTED MOTHERBOARDS	K383x-*, K384x-*, K3851-R

Dimension



Dimension

Slim Heatsink for Intel® LGA1700 F5000-C030



Ordering Information

ARTICLE	PART NO.	DESCRIPTION
HEATSINK LGA1700 65W	F5000-C030	Box contains 40 x cooler plus 40 x backplate

Global Headquarters

Kontron Europe GmbH

Gutenbergstraße 2
85737 Ismaning, Germany
Tel.: + 49 821 4086-0
info@kontron.com

www.kontron.com

